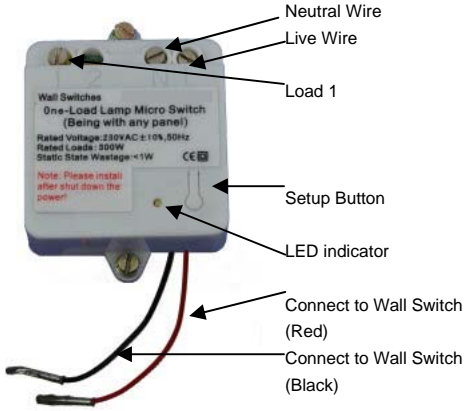
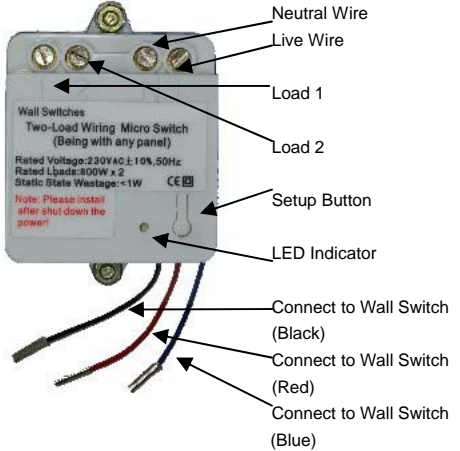


PLCBUS-2263/2264 One/Two Load Micro Dimmer Module

Setup Manual



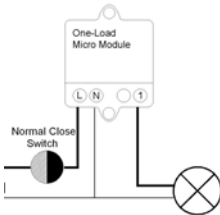
PLCBUS-2263 One Load Micro Dimmer Module



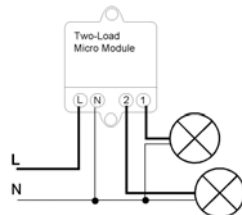
PLCBUS-2264 Two Load Micro Dimmer Module

Installation :

1. Hidden and fixed in the ceiling or junction box.

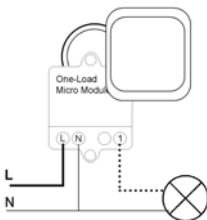


PLCBUS-2263 One Load Micro Dimmer Module

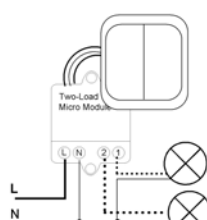


PLCBUS-2264 Two Load Micro Dimmer Module

2. Connected with mechanical wall switch.



PLCBUS-2263 One Load Micro Dimmer Module



PLCBUS-2264 Two Load Micro Dimmer Module

Notice :
1. This micro Modules can be connected behind common mechanical switches; can not work with momentary and electronic switches.

Main Features:

- Two-way communications
- ON/OFF status report
- Respond "On/Off, Brighten/Dim" command
- Memory 16 different address for scenes control
- Dimmer and 100 Brightness levels for Incandescent lamp only
- 1 (Main add) + 16 (Scene add), totally 17 addresses.

Main Address Settings:

1. Press and hold the setup button for 5 seconds and the light indicator will flicker once.
2. Release the setup button and both the light indicator and the load will remain 'On' to indicate that you are now in the 'program mode'.
3. Use any PLCBUS controller transmit the PLCBUS address to the micro module e.g. send "A02 ON".
(For Two Load model, just transmit the PLCBUS addresses to the micro module e.g. send "A02 ON", and then "B05 ON", A02 is for Load one, and B05 is for Load two.)
4. The LED indicator and the Lamp will turn OFF to indicate that the address has been set.
5. The Micro Module will exit the 'program mode' if no action is taken after 8 seconds.

Technical Specification

Max. Loading : 300W (PLCBUS-2264 400W in sum / each max 300W)

Load Type : Incandescent

Scenes Qty : Up to 16

Dimmable : Yes

Supply voltage : 230V 50Hz

Dimensions : 43.25mm x 47mm x 18.9mm