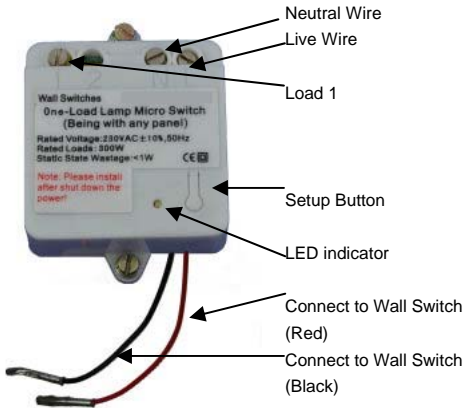
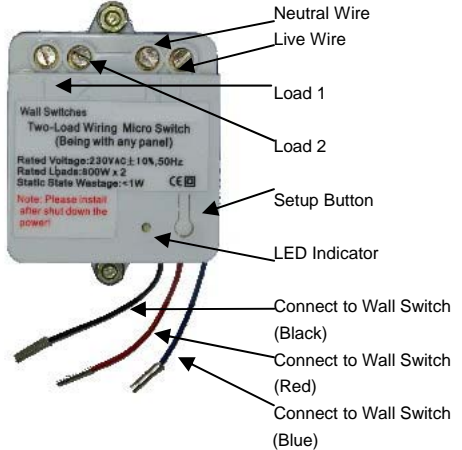


**PLCBUS-2267/2268 One/Two Load Appliance Micro Module**

**Setup Manual**



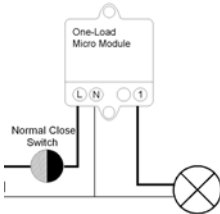
PLCBUS-2267 One Load Appliance Micro Module



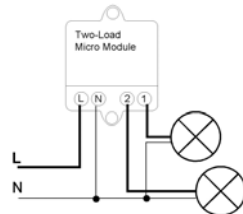
PLCBUS-2268 One Load Appliance Micro Module

**Installation :**

1. Hidden-fixed in the ceiling or wall switch junction;

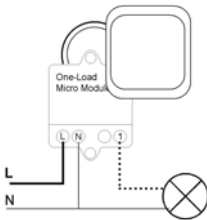


PLCBUS-2267 One Load Appliance Micro Module

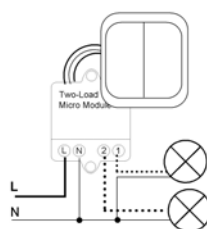


PLCBUS-2268 Two Load Appliance Micro Module

2. Connected with common mechanical wall switch. (Top for "ON" and "Bottom for "Off").



PLCBUS-2267 One Load Appliance Micro Module



PLCBUS-2268 Two Load Appliance Micro Module

**Notice :**

1. This micro Modules can be connected behind common mechanical switches; can not work with momentary and electronic switches.

---

**Main Features:**

- Two-way communications
- ON/OFF status report
- Respond "On/Off" command
- Memory 16 different address for scenes control
- 1 (Main add) + 16 (Scene add), totally 17 addresses.

**Main Address Settings:**

1. Press and hold the setup button for 5 seconds and the light indicator will flicker once.
2. Release the setup button and both the light indicator and the load will remain 'On' to indicate that you are now in the 'program mode'.
3. Use any PLCBUS controller transmit the PLCBUS address to the micro module e.g. send "A02 ON".  
(For Two Load model, just transmit the PLCBUS addresses to the micro module e.g. send "A02 ON", and then "B05 ON", A02 is for Load one, and B05 is for Load two.)
4. The LED indicator and the Lamp will turn OFF to indicate that the address has been set.
5. The Micro Module will exit the 'program mode' if no action is taken after 8 seconds.

**Respond to "All Lights On" command**

1. Press and hold the setup button for 5 seconds
2. Send a "All Lights On" command via PLCBUS-4034 Command Center, after that this micro module will respond "All Lights On" command; If you send "All Units Off" command, this micro module will respond "All Units Off" only, will not respond "All Lights On" command.

***Technical Specification***

Max. Loading : 800W ( PLCBUS-2268 : 800W x 2 )

Load Type : Fluorescent light

Scenes Qty : Up to 16

Dimmable : No

Supply voltage : 230V 50Hz

Dimensions : 43.25mm x 47mm x 18.9mm