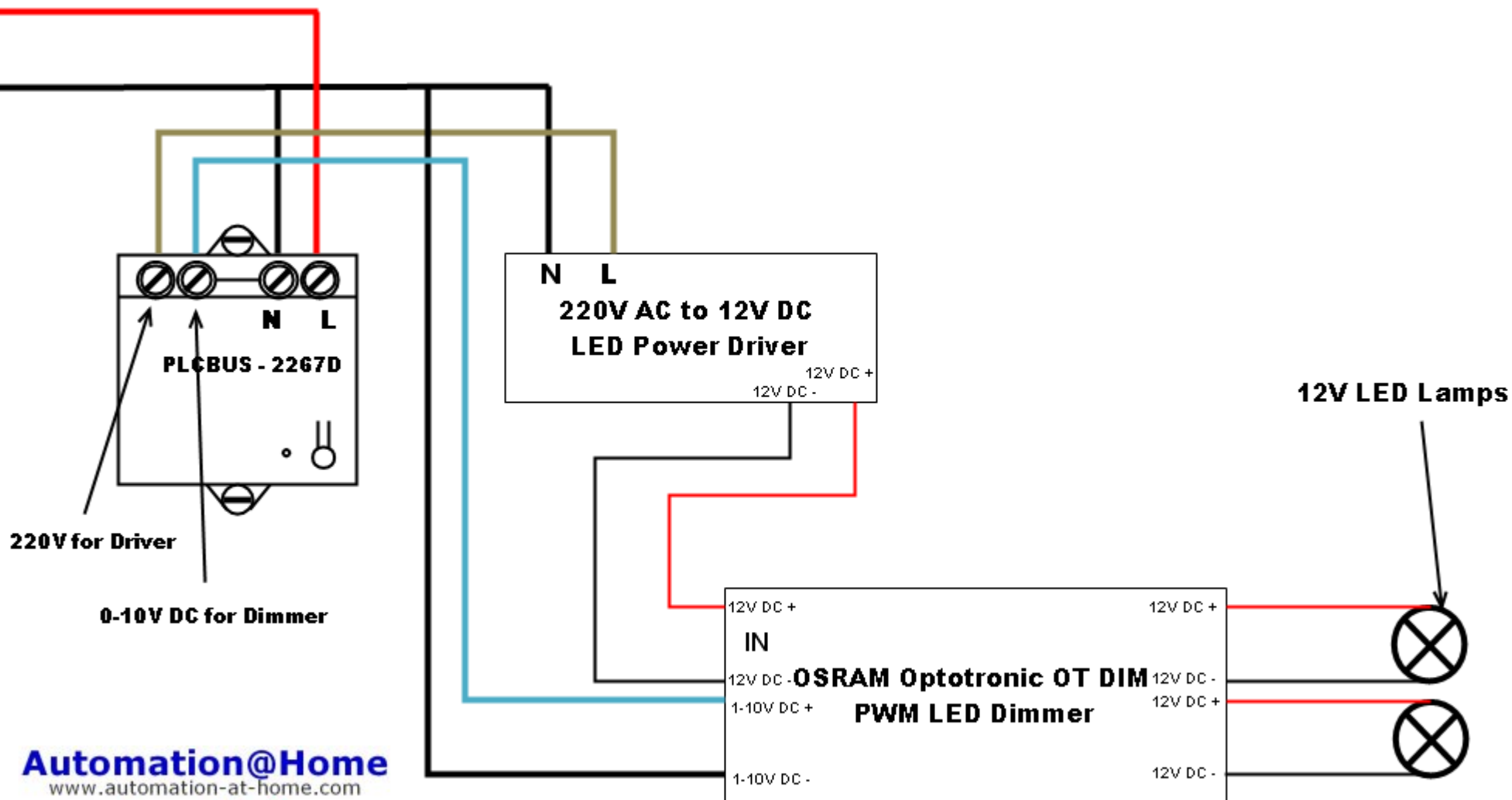


# PLCBUS-2267D One Load 0-10V Controller Micro Module Wiring Diagram with OSRIM OT DIM PWM LED Dimmer

23/09/2010



**Automation@Home**  
www.automation-at-home.com

*Enter the world of  
home automation!!*