

PLCBUS 4-Load H-Duty Appliance DIN Module

Main Description:

PLCBUS2-R 2268HX2 is a Four-Load H-Duty Appliance DIN Module; Each Load can memory 1 main address + 16 Scene Addresses = 17 different addresses. (The Scene Address setup method, please check in #4034 User Manual). Build-in fuse.

Technical Specs:

Rated Voltage: 230V±10%, 50Hz

Rated Load: Resistive Load < 8A

Electric Transformer Load < 5A

Inductive Load < 1.5A

Size: 11.5cm (L) x 9.6cm (W) x 4cm (H)

Key Functions:

- (1). S1/S2 is the SETUP keys: each key can setup 2-load addresses (S1 is for Load1/Load2; S2 is for Load3/Load4); If tap S1 or S2, you can ON/OFF Load1/2 or Load 3/4 at the same time.
- (2). Press S1 or S2 buttons and hold for 10 seconds can delete 16 scene addresses of the four loads totally.

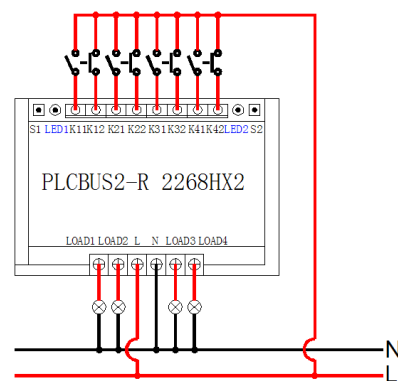
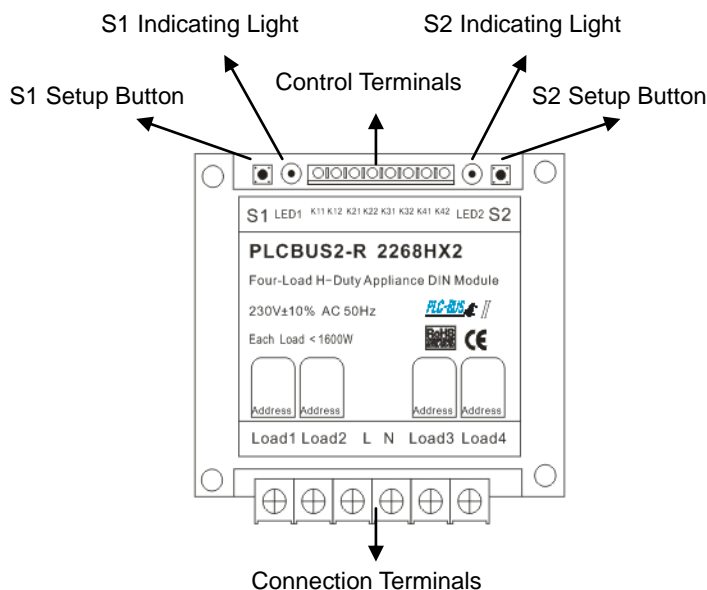
Connection Method:

- K11 is connected mechanical switch to local control ON/OFF of Load 1;
 K12 is connected momentary switch (Normal Opened) to local control ON/OFF of Load 1;
 K21 is connected mechanical switch to local control ON/OFF of Load 2;
 K22 is connected momentary switch (Normal Opened) to local control ON/OFF of Load 2;
 K31 is connected mechanical switch to local control ON/OFF of Load 3;
 K32 is connected momentary switch (Normal Opened) to local control ON/OFF of Load 3;
 K41 is connected mechanical switch to local control ON/OFF of Load 4;
 K42 is connected momentary switch (Normal Opened) to local control ON/OFF of Load 4;

Setup Respond “All Lights On” Command and Main Address Method:

- (1). When leaving factory, the default is responding “All Units Off” only;
- (2). Press S1 or S2 key and hold for 5 seconds, when the indicating light flickers, releasing, and then use #4034 send out “All Lights On” command; then Load1/2 under S1 Key or Load3/Load4 under S2 Key can respond “All Lights On” Command; Send “All Units Off” again, will respond “All Units Off” only.
- (3). After above setup “Respond All Lights On command”, if holding is S1 Key, then use #4034 send out a main address to Load1, then #2268HX2 will enter Load2 address setup status automatically, so you send out the other address, which is the main address for Load2; Load3/4 addresses setup method is the same with S2 Key.

Notice: If have no any operation in 10seconds, it will exit setup method automatically.



Installation:

After setup, please fix DIN Module in power distribution box, and stick the lines together will be better;

Notice; the wired into connection terminals, please don't use multi-core wire.